

LETourneau

A Keppel Company



LeTourneauTM Rig Location Guide

Houston, TX
March 2020

www.keppelletourneau.com

The logo for Keppel, featuring the word "Keppel" in a bold, sans-serif font. The letter "K" is white and set against a grey rectangular background, while the remaining letters "eppel" are grey.

Core Values

Agility

Adapt to change
& innovate
for growth

People-focus

Value people
& partnerships

Accountability

Do the right thing
for people, planet
& company

Can Do

With passion &
vigour, together
we can

Safety

Committed to
safe & healthy
workplaces

CONTACTS

Keppel LeTourneau USA, Inc.

Tel: (903) 399-2619

Email: SpareParts.usa@keppelletourneau.com

Service.usa@keppelletourneau.com

Engineering.usa@keppelletourneau.com

Keppel LeTourneau Middle East FZE

Tel: 971 04 886 0010

Email: Spareparts.UAE@keppelletourneau.com

Service.UAE@keppelletourneau.com

Copyright 2020 Keppel LeTourneau. All rights reserved.

Specifications and data presented in this brochure is for general information only and is subject to change without notice and it is not intended for design purposes. Although every effort has been made to maintain the accuracy and reliability of its contents, Keppel LeTourneau in no way assumes responsibility for liability for any loss, damage or injury resulting from the use of the information and data herein.

LeTOURNEAU™

Self-elevating Mobile Offshore Drilling Units

Designed and built for the next 50 years

Super 116E Class – to 375 ft WD

WORKHORSE® Class – to 400 ft WD Jaguar

Class – to 500 ft WD

Super Gorilla XL Class – to 550 ft WD

Recap of Units as of 03/2020

LETOURNEAU Jackup Units:

Slot	54	
Cantilever	157	
SLOTILEVER™	21	232
Semi-submersibles		5
Drilling Tenders and Posted Barges		5
Drillships		1
Self-elevating Lift Boat and Workover		
Rigs		4
Dredge Barges		1
Floating Crane Barges		1
Steel Barges		<u>1</u>
	Total Unit Count	<u>250</u>
	Hulls not Assigned Numbers	2
	Assigned Numbers Hull	293
	Numbers Not Used	45
Units Under Construction		
Included in Above		<u>8</u>

HULL	OWNER	NAME	TYPE	CLASS	LEG LGTH.	SHIPYARD	DATE DEL.
1†	Zapata	Scorpion	Self-Elev.		169 Tri.	Vicksburg	12/11/55
PRESENT STATUS: Retired 12/86. Sank during storm in Canary Islands while under tow 11/22/69, later salvaged.							1*
2†	Zapata	Vinegarroon	Self-Elev.		240 Tri.	Vicksburg	4/29/57
PRESENT STATUS: Retired 03/83.							2*
3†	Eckhart Marine Group GMBH	Chris Seger	Self-Elev.	3	309 Tri.	Vicksburg	10/21/57
PRESENT STATUS: Scrapped, 11/87 (Ex Mr. Cap).							3*
4†	Deepwater Expl.	Deepwater II	Self-Elev.	4	115 Tri.	Vicksburg	8/15/57
PRESENT STATUS: Collapsed 1957 and salvaged following Hurricane Audrey, GOM.							4*
5†	Dixilyn	Julie Ann	Self-Elev.	3	175 Tri.	Vicksburg	2/15/58
PRESENT STATUS: Sank in tow off S. La. in storm, 03/69.							5*
6†	Abay Holding S.A.	Hudson Bay	Self-Elev.	6	175 Tri.	Vicksburg	4/15/58
PRESENT STATUS: Retired 01/91, Africa. (Ex CE Thornton).							6*
7†	Arabian American Oil Company	AMDP-1	Self-Elev.	7	125 Tri.	Vicksburg	2/17/58
PRESENT STATUS: Sank in tow 09/28/75, Arabian Gulf.							7*
8†	Japan Drilling Co.	Hakuryu I	Self-Elev.	3	168 Tri.	Akita, Japan (LeT) (Kit)	8/8/58
PRESENT STATUS: Retired 11/86, Japan. (Ex Hakuryu).							
9	Italian Govt.	Santa Rita	Self-Elev.	9 PRESENT	123 Tri.	Vicksburg	1/15/59
STATUS: E. Africa. Converted to missile tracking vessel about 1962 (Ex Scarabeo).							8*

† Rigs Out of Service (Retired, etc.)

* Rigs built in Vicksburg

** Rigs with enhanced leg

HULL	OWNER	NAME	TYPE	CLASS	LEG LGTH.	SHIPYARD	DATE DEL.
10†	Coral Drilling	Little Bob	Self-Elev.	9	126 Tri.	Vicksburg	(11/59)
PRESENT STATUS: Destroyed in fire off La. 08/68. 250 Ton Crane Barge (Ex Elefante).							9*
13†	Gulf Marine Maint. & Offshore Services	D.M. Saunders	Self-Elev.	9	208 Tri.	Vicksburg	8/24/60
PRESENT STATUS: Sank 11/93, damaged in blowout and fire 12/84 off Indonesia, converted to accomodations. (Ex Lofco V1001).							10*
14†	AGIP	Gatto Selvatico	Self-Elev.	14	212 Tri.	Milano, Italy (Carrara) (Kit)	11/22/60
PRESENT STATUS: Sank 01/76. [1st 375-Kip Elevating Unit]							
15	Consorcio Puente Maracaibo Jirafa		Floating Crane Barge			Vicksburg	8/9/60
PRESENT STATUS: Unknown (Last location Lake Maracaibo).							11*
16†	Saipem	Perro Negro	Self-Elev.	14	212 Tri.	Marina di Massa, Italy (Carrara) (Kit)	4/20/61
PRESENT STATUS: Retired 05/89.							
17†	Saipem	Paguro	Self-Elev.	14	215 Tri.	Porto Corsini, Italy (Carrara) (Kit)	8/5/63
PRESENT STATUS: Destroyed in blowout/fire, 09/29/65 off Ravenna, Italy.							
21†	Jagson Intl.	Galaxy	Self-Elev.	21	493 Tri. S.	Vicksburg	9/20/63
PRESENT STATUS: Out of Service, Brazil. Lost all legs, 1992 (Ex Dixilyn 250, DF 80).							12*
22†	Zapata	Maverick I	Self-Elev.	21	376 Tri. S.	Vicksburg	4/15/64
PRESENT STATUS: Sank in Hurricane Betsy, GOM 09/65.							13*
23†	Forex Neptune	Neptune I	Self-Elev.	23	250 Tri.	Rouen, France (CFEM) (Kit)	4/29/65
PRESENT STATUS: Retired 07/83. Sold to a group of European investors, 12/83. The unit is used as a mobile jetty in Nigeria.							

† Rigs Out of Service (Retired, etc.)

* Rigs built in Vicksburg **
Rigs with enhanced leg

HULL	OWNER	NAME	TYPE	CLASS	LEG LGTH.	SHIPYARD	DATE DEL.	
24	Perenco	Intrepid	PRESENT	Self-Elev.	300	460 Tri. S.	Vicksburg	12/23/64
STATUS: Gabon. Production Unit (Ex Ocean Master 1).							14*	
25†	Trans Texas	Rigmar 151		Self-Elev.	300	354 Tri. S.	Rouen, France (CFEM) (Kit)	12/15/65
PRESENT STATUS: Sank 1997, Brazil. Lost all legs 8/83 (Ex Neptune Gascogne, Norbe III).								
26†	P&E Drilling Co.	P&E-Endeavour		Self-Elev.	300	394 Tri. S.	Vicksburg	4/2/65
PRESENT STATUS: Retired 04/93. Brazil (Ex Endeavour).							15*	
27	Amni Int. Petroleum	Langley	PRESENT	Self-Elev.	300	260 Tri. S.	Vicksburg	7/10/65
STATUS: Nigeria. Production Unit (Ex Penrod-53).							16*	
28†	Clarendon Ltd.	Mr. Jack		Self-Elev.	300	460 Tri. S.	Vicksburg	9/22/65
PRESENT STATUS: Retired 05/88.							17*	
29†	Penrod	Penrod 54		Self-Elev.	300	365 Tri. S.	Vicksburg	12/9/65
PRESENT STATUS: Retired 07/89.							18*	
30†	Verde Offshore	Zeus		Self-Elev.	150	270 Tri.	Vicksburg	11/27/65
PRESENT STATUS: Scrapped 8/08, Freeport. Burned, 11/90. Salvaged Construction Barge, (Ex Penrod-55).							19*	
31†	Loffland	Ocean Master II		Self-Elev.	300	460 Tri. S.	Vicksburg	4/20/66
PRESENT STATUS: Sank under tow 6/10/77 off W. Africa.							20*	
32	Mansal Offshore	Murjan		Self-Elev.	150	271 Tri.	Vicksburg	8/6/66
PRESENT STATUS: W. Africa. Accommodation Unit (Ex Penrod-56).							21*	
33	Delta Offshore	Ocean Pioneer		Self-Elev.	300	435 Tri. S.	Vicksburg	3/21/66
PRESENT STATUS: Brazil, not in drilling service, 06/28/10 (Ex Chaparral, P&E Chaparral, Jagon Pioneer).							22*	

† Rigs Out of Service (Retired, etc.)

* Rigs built in Vicksburg

** Rigs with enhanced leg

HULL	OWNER	NAME	TYPE	CLASS	LEG LGTH.	SHIPYARD	DATE DEL.
34†	Zapata	Heron	Self-Elev.	300	435 Tri. S.	Vicksburg	5/15/66 23*
PRESENT STATUS: Retired 11/85.							
35	Chevron-Cabinda	Takula-TAP	Self-Elev. PRESENT	300	332 Tri. S.	Vicksburg	5/27/66 24*
STATUS: Angola. Converted 1990 to Accommodation Unit. (Ex AMDP-2)							
36	Seafox	Seafox Deema	Self-Elev.	150	270 Tri.	Vicksburg	1/11/66 25*
PRESENT STATUS: Arabian Gulf. Converted 2010 to Accommodation Unit (Ex Penrod-57, Deema, Rig 692).							
37†	Dolphin	Dolphin Titan 143	Self-Elev.	37	224 Tri.	Vicksburg	6/15/66 26*
PRESENT STATUS: Retired 01/89. Capsized and sank under tow 09/19/77. (Ex Placid 66).							
38†	Dixilyn-Field	DF-81	Self-Elev.	150	371 Tri.	Vicksburg	10/4/66 27*
PRESENT STATUS: Sank in Hurricane Allen 08/09/80 (Ex Dixilyn 150).							
39†	Nabors Offshore	Dolphin 109	Self-Elev.	39-C	243 Tri.	Vicksburg	3/16/67 28*
PRESENT STATUS: Retired. Salvaged and returned to service after sinking under tow, 02/80. (Ex Topper I, JFP9, Workhorse IX).							
40	Seafox	Seafox Ahmed	Self-Elev.	40	418 Sq.	Vicksburg	8/15/67 29*
PRESENT STATUS: W. Africa. Accommodation Unit, 08/92 Converted Slant to Fixed Leg. (Ex Zapata Explorer, Maersk Explorer, Ahmed Explorer, Rig 691).							
41†	Zapata	Topper II	Self-Elev.	39-C	221 Tri.	Vicksburg	1/28/68 30*
PRESENT STATUS: Retired 9/86.							
42	NIDC	Al Borz	Self-Elev.	42	348 Sq.	Vicksburg	10/15/68 31*
PRESENT STATUS: Arabian Gulf (Iran). (Ex Penrod-58, Momentum II).							
43	Cliffs	Cliffs 7	Self-Elev.	42	248 Sq.	Vicksburg	2/5/69 32*
PRESENT STATUS: Venezuela. Converted 1991 to Production Unit (Ex Penrod-59, Franklin).							

† Rigs Out of Service (Retired, etc.)

* Rigs built in Vicksburg

** Rigs with enhanced leg

HULL	OWNER	NAME	TYPE	CLASS	LEG LGTH.	SHIPYARD	DATE DEL.
44 [†]	Sedco	Sedco 150	Self-Elev.	44-C	220 Tri.	Levis, Canada (Davie) (Kit)	5/22/69
PRESENT STATUS: Scrap 11/85 (Ex Kenting I).							
45 [†]	Reading & Bates	W.D. Kent	Self-Elev.	45	245 Tri.	Vicksburg	4/15/69
PRESENT STATUS: Sank when hit by barge in storm off Dubai, 02/23/76 (Ex GL Temple). 33*							
46	Century Offshore	Gulf Commander	Self-Elev.	46-C	168 Tri.	Vicksburg	8/15/69
PRESENT STATUS: Gulf of Mexico. 750 Ton Crane Barge (Ex Smackover). 34*							
47	Petrobras	Petrobras IV	Self-Elev.	47-C	194 Tri.	Vicksburg	12/5/69
PRESENT STATUS: Cold Stacked 01/12, Brazil. (Ex Western Star). 35*							
48 [†]	Rowan	Rowan Houston	Self-Elev.	52 Mod. SLOTILEVER™	323 Tri.	Vicksburg	3/14/70
PRESENT STATUS: Sank in Hurricane Lilli, GOM, 10/02. 36*							
50 [†]	Rowan	Rowan New Orleans	Self-Elev.	52 Terminator®	323 Tri.	Vicksburg	9/29/70
PRESENT STATUS: Sank in Hurricane Katrina 08/28/05, GOM. 37*							
51	White Fleet Drilling	WFD Rig 173	Self-Elev.	51-C MAT	243 Tri.	Vicksburg	2/19/71
PRESENT STATUS: Cold Stacked 06/16. Gulf of Mexico (USA). (Ex Western Delta, WT Offshore Delta, Parker 22J, Hercules 22, Hercules 173). [1st ABS classed unit.] 38*							
52 [†]	Dixilyn-Field	DF-82	Self-Elev.	52	290 Tri.	Singapore	9/10/71
PRESENT STATUS: Retired 03/86 (Ex Earl Rowe-San Antonio).							
53	Cliffs	Forrestal	Self-Elev.	53	255 Sq.	Vicksburg	8/12/71
PRESENT STATUS: Venezuela. Compressor Unit. (Ex Penrod-60). 39*							

† Rigs Out of Service (Retired, etc.)

* Rigs built in Vicksburg

** Rigs with enhanced leg

HULL	OWNER	NAME	TYPE	CLASS	LEG LGTH.	SHIPYARD	DATE DEL.
54†	Zapata	Zapata Nordic	Self-Elev.	54	440 Sq. S.	Vicksburg	3/31/72 40*
PRESENT STATUS: Retired 07/89.							
55†	Penrod	Penrod 61	Self-Elev.	53	466 Sq.	Vicksburg	12/23/71 41*
PRESENT STATUS: Sank in Hurricane Juan, 10/28/85.							
56†	Paragon Offshore	Paragon M531	Self-Elev.	53 Mod. Cantilever	500 Sq.	Vicksburg	6/10/72 42*
PRESENT STATUS: Retired 5/18 (Ex Penrod-62, Coral Sea, Noble Leonard Jones).							
57	Seafox	Seafox Burj	Self-Elev.	53 Mod.	500 Sq.**	Vicksburg	10/30/72 43*
PRESENT STATUS: Arabian Gulf. Damaged in Hurricane Ike, GOM, 09/12/08. Converted 2012 to Accommodations (Ex Mr. Mel, Ocean Tower, Sea Tower, Burj).							
58†	Norscot Oil & Gas	Pentagone 5000	Semi			Brownsville	10/25/73 44*
PRESENT STATUS: Scrapped 04/18 India (Ex Pentagone 82, Treasure Viking, Tor Viking, Viking, JFP 12, Pride Mexico, ENSCO 5000).							
59†	Zapata	Topper III	Self-Elev.	53-C	444 Sq.	Vicksburg	11/30/72 44*
PRESENT STATUS: Sank in blowout off La., 3/75. [1st 600 VAC rig going forward unless otherwise noted.]							
60†	Rowan	Rowan Anchorage	Self-Elev.	52	324 Tri.	Singapore	8/22/72 45*
PRESENT STATUS: Sank in Hurricane Ike, GOM, 09/12/08.							
61	Aban Offshore	Aban VII	Self-Elev.	52 Mod SLOTILVER™	324 Tri.	Vicksburg	3/7/73 45*
PRESENT STATUS: Arabian Gulf (UAE). Upgraded 2009. (Ex Rowan Texas).							
62†	Diamond Offshore	Ocean King	Self-Elev.	64 Mod. SLOTILEVER™	410 Sq.	Vicksburg	7/30/73 46*
PRESENT STATUS: Scrapped 02/17R, Gulf of Mexico (USA). Damaged in fire 08/80. Upgraded 05/82 and 1990.							

† Rigs Out of Service (Retired, etc.)

* Rigs built in Vicksburg

** Rigs with enhanced leg

HULL	OWNER	NAME	TYPE	CLASS	LEG LGTH.	SHIPYARD	DATE DEL.
63†	Des Ceray	Key Biscayne	Self-Elev.	52	357 Tri.	Singapore	8/24/72
PRESENT STATUS: Unknown. Sank under tow, Australia 09/83. Salvaged 12/83. Sold to Des Ceray.							
64	Ezion	Noah's Ark	Self-Elev.	64 Mod. SLOTILEVER™	410 Sq.	Vicksburg	11/7/73
PRESENT STATUS: Warm Stacked, Arabian Gulf (Iran). Upgraded 1991 (Ex Key West, Andre Gurierrez VI, Foresight Driller III, Pride Pennsylvania). 47*							
65†	Sedco Forex	Searex 03	Tender			Singapore	9/15/72
PRESENT STATUS: Retired 1994. Singapore (Ex Grand Large).							
66	Petrobras	Petrobras XXVII	Semi			Brownsville	2/11/75
PRESENT STATUS: Brazil. Floating Production System (Ex Penrod-71, Padril 71).							
67	Compass Energy	Molly Brown	Semi			Brownsville	9/17/75
PRESENT STATUS: Singapore. Floating Production System (Ex Penrod-72, Placid 72, Intrepid, Petrobras 24).							
68	Petrofor	Dagda	Self-Elev. Cantilever	64 Mod.	477 Sq.*	Clydebank	11/7/73
PRESENT STATUS: Cameroon. Upgraded 2002. Lost legs in Hurricane Ivan, GOM, 09/14/04. Repaired 2006. (Ex P-64, E-64, Songa Neptune, Ben Rinnes).							
70†	tbd	Seahawk	Semi			Singapore	2/27/74
PRESENT STATUS: Scrapped 5/14, West Africa. Converted to Tender-Asst Drilling Unit 1992, upgraded 1999 (Ex Margie).							
71	Shelf Drilling	C E Thornton	Self-Elev.	64 Mod. SLOTILEVER™	410 Sq.	Vicksburg	3/8/74
PRESENT STATUS: India. Upgraded 1984 (Ex Demaga). 48*							
73	Estesco	Estesco	Semi			Brownsville	8/8/76
PRESENT STATUS: Gulf of Mexico. Accommodation (Ex P-75, Treasure 75, Lafitte, Oden Millenium).							

† Rigs Out of Service (Retired, etc.)

* Rigs built in Vicksburg

** Rigs with enhanced leg

HULL	OWNER	NAME	TYPE	CLASS	LEG LGTH.	SHIPYARD	DATE DEL.
75	Aban Offshore	Aban III	Self-Elev.	64 Mod. SLOTILEVER™	377 Sq.	Singapore	5/14/74
PRESENT STATUS: India. Upgraded 1984 (Ex Chickamauga, Ile D Amsterdam).							
[901]†	Reading & Bates	Douglas Carver	Drillship	LSD-23		Clydebank	2/14/75
PRESENT STATUS: Retired 12/88, West Africa.							
76	Advanced Energy Systems	Admarine III	Self-Elev.	52-C	357 Tri.	Singapore	8/16/74
PRESENT STATUS: Egypt (Ex Rig 103, GSF Rig 103).							
77	Shelf Drilling	F G McClintock	Self-Elev.	64 Mod. SLOTILEVER™	410 Sq.	Singapore	3/13/75
PRESENT STATUS: India. Upgraded 1984.							
78†	Shelf Drilling	Rig 105	Self-Elev.	52-C	357 Tri.	Singapore	5/28/75
PRESENT STATUS: Out of Service 04/17, Egypt.							
79†	Dixilyn-Field	DF-83	Self-Elev.	52	357 Tri.	Vicksburg	7/5/74
PRESENT STATUS: Sank 12/86. 480 VAC system. (Ex Bob Bushman).							49*
80	Advanced Energy Systems	Admarine 656	Self-Elev.	80 Mod. Cantilever	365 Tri.	Clydebank	10/9/74
PRESENT STATUS: Arabian Gulf (Saudi Arabia). Cantilever added. (Ex Key Victoria, Nabors 656,).							
81	Advanced Energy Systems	Admarine 88	Self-Elev.	64 Mod. SLOTILEVER™	466 Sq.	Vicksburg	12/16/74
PRESENT STATUS: Egypt. Upgraded 1989 (Ex Mr. Si, Ocean Titan).							50*
82	ADNOC Drilling	Al Ittihad	Self-Elev.	82 Mod. Cantilever	267 Tri.	Clydebank	4/22/75
PRESENT STATUS: Arabian Gulf (UAE). Cantilever added 2015.							

† Rigs Out of Service (Retired, etc.)

* Rigs built in Vicksburg

** Rigs with enhanced leg

HULL	OWNER	NAME	TYPE	CLASS	LEG LGTH.	SHIPYARD	DATE DEL.
83	Atlantic Marine Services	Atlantic Esbjerg	Self-Elev.	82	362 Tri.	Singapore (FELS)(Kit)	1/7/75
PRESENT STATUS: Arabian Gulf (Qatar). Converted Production 1996. (Ex Trident I, Naymin Young, Allen John, Amina, Atlantic Esberg).							
84	Jindal Drilling	Jindal Supreme	Self-Elev.	84	466 Sq.	Vicksburg	3/21/75
PRESENT STATUS: India. Lost legs in Hurricane Rita 09/24/05. Repaired and returned to service 2006. (Ex Rowan Louisiana) 51*							
85	De Raj	Malakait	Self-Elev.	84	477 Sq.	Vicksburg	8/18/75
PRESENT STATUS: Converted to MOPU, Gulf of Mexico (USA). (Ex Rowan Alaska) 52*							
86	Dixstone	Paragon M842	Self-Elev.	84 Mod. Cantilever ERC	501 Sq.	Vicksburg	12/2/75
PRESENT STATUS: Cold stacked 05/16, Gulf of Mexico (USA). Upgraded 1996 (Ex Penrod-66, Wasp, Noble Eddie Paul). 53*							
87†	Paragon Offshore	Paragon M841	Self-Elev.	84 Mod. Cantilever ERC	344 Sq.	Clydebank	9/23/75
PRESENT STATUS: Retired 08/18, Gulf of Mexico (USA). Upgraded 1998 (Ex Penrod-65, Nimitz, Noble Bill Jennings, Paragon M841).							
88	GOL Offshore	Kedarnath	Self-Elev.	84	410 Sq.	Brownsville	12/1/75
PRESENT STATUS: India. (Ex Shenandoah).							
89	Paragon Offshore	Paragon M821	Self-Elev.	82-C Mod	257 Tri.	Singapore PRESENT	1/27/76
STATUS: Scrapped 1/18, Gulf of Mexico (USA). (Ex Western Triton I, Noble Carl Norberg). Damaged in fire 02/27/80. Repaired 06/80.							
90	Advanced Energy Systems	Admarine VI	Self-Elev.	82-C Mod	357 Tri.	Singapore	7/27/76
PRESENT STATUS: Egypt. (Ex Western Triton II, Dana, Noble Chuck Syring, Paragon M822).							
91	Gulf Drilling International	Msheireb	Self-Elev.	84 Mod. Cantilever	410 Sq.**	Vicksburg	4/9/76
PRESENT STATUS: Arabian Gulf (Qatar). Upgraded 1998. 480 VAC system. (Ex Vicksburg) 54*							

† Rigs Out of Service (Retired, etc.)

* Rigs built in Vicksburg

** Rigs with enhanced leg

HULL	OWNER	NAME	TYPE	CLASS	LEG LGTH.	SHIPYARD	DATE DEL.
92	Shelf Drilling	Key Gibraltar	Self-Elev.	84 Mod. Cantilever	410 Sq.	Clydebank	2/11/76
PRESENT STATUS: Converted to MOPU 2019, Upgraded 1996. Arabian Gulf (Bahrain). (Ex Key Gibraltar)							
93	Not Known	Pacific 12	Self-Elev.	84	410 Sq.	Brownsville	5/22/76
PRESENT STATUS: Cold Stacked 09/09, Galveston (USA). (Ex Key Largo, Marine 304, Pride Wisconsin).							
94	Valaris	Valaris 67	Self-Elev.	84 Mod. Cantilever	511 Sq.**	Clydebank	6/25/76
PRESENT STATUS: Indonesia. Upgraded 2005. (Ex ENSCO 657, Penrod-67, ENSCO 01).							
95	Atlantic Drilling	Atlantic 7	Self-Elev.	84 Mod	511 Sq.**	Vicksburg	7/9/76
PRESENT STATUS: Sabine Pass (USA). Upgraded 2016. (Ex Penrod-69, ENSCO 69).							55*
96	Valaris	Valaris 68	Self-Elev.	84 Mod. Cantilever	466 Sq.	Brownsville	10/18/76
PRESENT STATUS: Gulf of Mexico (USA). Upgraded 2004 (Ex ENSCO 68, Penrod-68).							
97	Shelf Drilling	Trident II	Self-Elev.	84 Mod. SLOTILEVER™	410 Sq.	Singapore	1/15/77
PRESENT STATUS: Bombay High (India). Upgraded 1985.							
99†	Transocean	Falcon 57	Posted Barge			Singapore	10/10/75
PRESENT STATUS: Retired 11/04, last GOM (USA). (Ex Rowan Fairbanks).							
100	Gulf Drilling International	Al-Wajba	Self-Elev.	82 Mod. Cantilever	357 Tri.	Singapore	3/21/77
PRESENT STATUS: Arabian Gulf (Qatar). Converted to Cantilever 2005. (Ex Maersk Exertur, Muna, Gulf-3).							

† Rigs Out of Service (Retired, etc.)

* Rigs built in Vicksburg

** Rigs with enhanced leg

HULL	OWNER	NAME	TYPE	CLASS	LEG LGTH.	SHIPYARD	DATE DEL.
114	EDC	Setty	Self-Elev.	82	357 Tri.	Singapore	8/2/77
PRESENT STATUS: Red Sea (Egypt). Converted to production 1993. Damaged in blowout, repaired and returned to service 10/18/180. (Ex Maersk Endurer).							
115	ADNOC Drilling	Al Ghallan	Self-Elev.	82 Mod SLOTILEVER™	267 Tri.	Clydebank	3/14/77
PRESENT STATUS: Arabian Gulf (UAE). Upgrade 2008.							
116 †	Rowan	Rowan Odessa	Self-Elev.	116S	477 Sq.	Vicksburg	12/11/76
PRESENT STATUS: Sank in Hurricane Rita, GOM, 09/24/05. Damaged in blowout and fire 10/01/77.							56*
117 †	Triumph Drilling	Triumph 101	Tender			Brownsville	7/6/77
PRESENT STATUS: Retired 04/16, Singapore (Ex W.D. Kent).							
118	Mermaid	MTR-1	Tender			Singapore	1/24/78
PRESENT STATUS: Singapore. Converted to Accommodation Barge 08/14. (Ex Tenaga, Piranha).							
119	De Raj	Poseidon	Self-Elev.	116S	343 Sq.**	Vicksburg	8/1/77
PRESENT STATUS: Converted to MOPU, Gulf of Mexico (USA). Upgraded 06/80. (Ex Roawan Juneau)							57*
120	Arabian Drilling	Arabdrill 100	Self-Elev.	82SD-C	360 Tri.	Vicksburg	11/22/77
PRESENT STATUS: Arabian Gulf (Bahrain). (Ex Penrod-63, ENSCO 63, ENSCO 98, SE 98, XD 19).							58*
121	ENSCO	ENSCO 80	Self-Elev.	116 Mod. Cantilever	343 Sq.	Clydebank	8/4/78
PRESENT STATUS: North Sea (UK). Upgraded 1995 (Ex Penrod-80).							
122†	Penrod	Penrod 52	Self-Elev.	82SD-C	360 Tri.	Vicksburg	3/22/78
PRESENT STATUS: Sank in blowout off Texas, 07/83.							59*

† Rigs Out of Service (Retired, etc.)

* Rigs built in Vicksburg

** Rigs with enhanced leg

HULL	OWNER	NAME	TYPE	CLASS	LEG LGTH.	SHIPYARD	DATE DEL.
123	Saipem	Perro Negro 4	Self-Elev.	150-44-C	248 Tri.	Brownsville	12/23/77
PRESENT STATUS: Egypt.							
124†	Rowan	Rowan Fort Worth	Self-Elev.	116-C	477 Sq.	Vicksburg	8/10/78
PRESENT STATUS: Sank in Hurricane Rita, GOM, 09/24/05.							60*
125†	ENSCO	ENSCO 81	Self-Elev.	116-C	477 Sq.**	Clydebank	6/26/79
PRESENT STATUS: Retired 4/18, Gulf of Mexico (USA). (Ex Penrod-81).							
126	Shelf Drilling	Galveston Key	Self-Elev.	116 Mod. SLOTTILEVER™	410 Sq.	Brownsville	7/27/78
PRESENT STATUS: Warm Stacked. UAE. Upgraded 1986.							
127†	ENSCO	ENSCO 82	Self-Elev.	116-C	410 Sq.	Vicksburg	1/10/79
PRESENT STATUS: Retired 04/18, Gulf of Mexico (USA). (Ex Penrod-82).							61*
128	Perenco	Nuada PRESENT	Self-Elev.	82SD-C	360 Tri.	Vicksburg	5/3/79
STATUS: Gabon. (Ex Penrod-83, ENSCO 83, SE 83).							62*
129	Advanced Energy Systems	Admarine 266	Self-Elev.	82SD-C	360 Tri.	Brownsville	11/8/78
PRESENT STATUS: Arabian Gulf (Bahrain). (Ex Mr. Dave, Ocean Columbia, Hercules 266).							
130	Shelf Drilling	Randolph Yost	Self-Elev.	116-C	410 Sq.	Brownsville	2/28/79
PRESENT STATUS: Alaska (USA).							
131	Shelf Drilling	Ron Tappmeyer	Self-Elev.	116-C	410 Sq.	Singapore	10/23/78
PRESENT STATUS: India.							

† Rigs Out of Service (Retired, etc.)

* Rigs built in Vicksburg

** Rigs with enhanced leg

HULL	OWNER	NAME	TYPE	CLASS	LEG LGTH.	SHIPYARD	DATE DEL.
132†	Paragon Offshore	Paragon M823	Self-Elev.	82SD-C	360 Tri.	Brownsville	6/22/79
PRESENT STATUS: Retired 08/18. Gulf of Mexico (USA). (Ex Western Triton II, Noble Earl Fredrickson).							
133†	Paragon Offshore	Paragon M1162	Self-Elev.	116-C	343 Sq.	Singapore	4/11/79
PRESENT STATUS: Retired 08/18. Arabian Gulf (UAE). (Ex Trident III, Noble Roy Rhodes).							
135†	Shelf Drilling	Adriatic V	Self-Elev.	116-C	410 Sq.	Singapore	8/16/79
PRESENT STATUS: Retired 05/16, UAE. (Ex Transocean-5).							
136	Enterprise Offshore	Enterprise 150	Self-Elev.	150-44-E	248 Tri.**	Vicksburg	6/28/79
PRESENT STATUS: Cold Stacked 06/16, Gulf of Mexico (USA). Modified 1983. (Ex Keyes 150, Dual 83, RBF 150, THE 150, Hercules 150).							63*
137	Perforadora Mexico	Sonora	Self-Elev.	82SD-C	360 Tri.	Brownsville	11/2/79
PRESENT STATUS: Bay of Campeche (Mexico). (Ex Western Triton III).							
138	Advanced Energy Systems	Admarine 260	Self-Elev.	150-44-C	248 Tri.	Brownsville	7/26/79
PRESENT STATUS: Congo. (Ex Vantage 260, Cliffs 154, Southwestern 154, Viking Rig V, Gulfstream , RBF 154, THE 154, Aries, Rig 26, Hercules 260, Vantage 260).							
139†	Ocean Oilfield	Ocean Drilling 1	Self-Elev	82SD-C	360 Tri.	Vicksburg	11/5/79
PRESENT STATUS: Retired 02/16, UAE. (Ex Western Triton IV, Noble Charles Copeland)							64*
140	Valaris	Valaris Middletown	Self-Elev.	116-C	477 Sq.	Vicksburg	4/17/80
PRESENT STATUS: Arabian Gulf (Saudi Arabia). (Ex Rowan Middletown)							65*
141	COSL	Bohai 8	Self-Elev.	82SD Mod. Cantilever	360 Tri.**	Singapore	1/3/80
PRESENT STATUS: Bohai Gulf (China). Converted to Accommodation 11/17. Upgraded 1986.							
142	COSL	Bohai 10	Self-Elev.	82SD Mod. Cantilever	360 Tri.**	Singapore	3/24/80
PRESENT STATUS: Bohai Gulf (China). Upgraded 1988.							

† Rigs Out of Service (Retired, etc.)

* Rigs built in Vicksburg

** Rigs with enhanced leg

HULL	OWNER	NAME	TYPE	CLASS	LEG LGTH.	SHIPYARD	DATE DEL.
143	Advanced Energy Systems	Admarine 261	Self-Elev.	82SD-C	360 Tri.	Canada (Davie) (Kit)	6/20/79
PRESENT STATUS: Arabian Gulf (Saudi Arabia). (Ex GSF High Island I, Hercules 261).							
144	Seafox	Seafox Frontier	Self-Elev.	116-C	410 Sq.	Brownsville	3/5/80
PRESENT STATUS: Arabian Gulf (Bahrain). Converted to Accommodation Unit 2013. (Ex Trident IV, MOS Frontier).							
145	Ezion/Selective Marine Services	Teras Titanium	Self-Elev.	116-C	444 Sq.	Vicksburg	9/10/80
PRESENT STATUS: Cold Stacked 2016, Arabian Gulf (UAE). (Ex Rowan Paris).							66*
146	ENSCO	ENSCO 97	Self-Elev.	82SD-C	360 Tri.	Brownsville	5/22/80
PRESENT STATUS: Arabian Gulf (Saudi Arabia). (Ex Keyes 250, Dual 86).							
147†	Paragon	Paragon M1161	Self-Elev.	116-C	410 Sq.	Singapore	7/14/80
PRESENT STATUS: Scrapped 04/18. India. (Ex W.T. Adams, Sonny Voss, Trident 18, Noble Charlie Yester).							
148	Shelf Drilling	High Island II	Self-Elev.	82SD-C	394 Tri.	Canada (Davie) (Kit)	11/30/79
PRESENT STATUS: Arabian Gulf (Saudi Arabia). Damaged in Hurricane Rita 09/24/05. (Ex GSF High Island II).							
149	GSP	GSP Uranus	Self-Elev.	116-C	443 Sq.	Singapore	10/15/80
PRESENT STATUS: Romania. (Ex D.R. Stewart, Uranus).							
150	Saipem	Perro Negro 2	Self-Elev.	116-C	410 Sq.	Clydebank	8/20/80
PRESENT STATUS: Cold Stacked 03/17. Arabian Gulf (UAE). (Ex Arabdrill 08).							
151†	Shelf Drilling	Adriatic VI	Self-Elev.	116-C	443 Sq.	Singapore	3/30/81
PRESENT STATUS: Retired 05/16, Malaysia. (Ex Transocean-6).							
152†	Hercules	Hercules 25	Self-Elev.	150-44-SP	317 Tri.	Brownsville	8/14/80
PRESENT STATUS: Sank in Hurricane Katrina, GOM, 8/28/05. (Ex Gulfwing, Parker 25J).							

† Rigs Out of Service (Retired, etc.)

* Rigs built in Vicksburg

** Rigs with enhanced leg

HULL	OWNER	NAME	TYPE	CLASS	LEG LGTH.	SHIPYARD	DATE DEL.
153	Savannah Oil Services	Hercules 267	Self-Elev.	82SD-C	360 Tri.	Canada (Davie) (Kit)	5/23/80
PRESENT STATUS: Cold Stacked 11/17. Cameroon. (Ex Salenergy IV, Nahuatl, Songa Tellus, Ben Avon).							
154	Valaris	Charles Rowan	Self-Elev.	116-C	444 Sq.	Vicksburg	2/23/81
PRESENT STATUS: Arabian Gulf (Saudi Arabia).							67*
155	Valaris	Arch Rowan	Self-Elev.	116-C	477 Sq.**	Vicksburg	7/2/81
PRESENT STATUS: Arabian Gulf (Saudi Arabia).							68*
156	ARO Drilling	Gilbert Rowe	Self-Elev.	116-C	477 Sq.**	Vicksburg	11/6/81
PRESENT STATUS: Arabian Gulf (Saudi Arabia).							69*
157†	Rowan	Cecil Provine	Self-Elev.	116-C	410 Sq.**	Vicksburg	3/22/82
PRESENT STATUS: Scrapped 12/17, Gulf of Mexico (USA).							70*
158	Shelf Drilling	Key Manhattan	Self-Elev.	116-C	410 Sq.	Brownsville	12/12/80
PRESENT STATUS: Croatia.							
159†	Global Petro Tech	Global Pearl	Self-Elev.	82SD-C	360 Tri.	Canada (Davie) (Kit)	9/5/80
PRESENT STATUS: Out of Service, UAE. Damaged in Hurricane Rita 09/24/05, repaired 2009, (Ex GSF High Island III, KS Venture).							
160	Shelf Drilling	High Island V	Self-Elev.	82SD-C	394 Tri.	Brownsville	2/26/81
PRESENT STATUS: Arabian Gulf (Bahrain).							
161	Shelf Drilling	Adriatic I	Self-Elev.	116-C	410 Sq.	Brownsville	6/12/81
PRESENT STATUS: Nigeria.							
162	Goimar	Sandunga	Self-Elev.	116-C	477 Sq.**	Brownsville	9/9/81
PRESENT STATUS: Mexico. (Ex GSF Adriatic II).							

† Rigs Out of Service (Retired, etc.)

* Rigs built in Vicksburg

** Rigs with enhanced leg

HULL	OWNER	NAME	TYPE	CLASS	LEG LGTH.	SHIPYARD	DATE DEL.
163	Valaris	Valaris 84	Self-Elev.	82SD-C	360 Tri.	Singapore	7/1/81
PRESENT STATUS: Arabian Gulf (Bahrain). (Ex ENSCO 84, Penrod 84).							
164	Ezion Holding	Valiant Driller	Self-Elev.	116-C	343 Sq.**	Singapore	10/26/81
PRESENT STATUS: India. (Ex ENSCO 85, Penrod-85).							
165†	White Fleet Drilling	WFD Rig 250	Self-Elev.	82SD-C	360 Tri.	Brownsville	12/4/81
PRESENT STATUS: Gulf of Mexico (USA). (Ex Penrod 86, ENSCO 86).							
166	Valaris	Valaris 87	Self-Elev.	116-C	477 Sq.	Vicksburg	6/22/82
PRESENT STATUS: Gulf of Mexico (USA). (Ex Penrod 87, ENSCO 87,).							
167	Shelf Drilling	High Island IV	Self-Elev.	82SD-C	360 Tri.	Canada (Davie) (Kit)	12/2/80
PRESENT STATUS: Arabian Gulf (Saudi Arabia). Upgraded 2001.							
168	Valaris	Valaris 88	Self-Elev.	82SD-C	360 Tri.	Brownsville	3/22/82
PRESENT STATUS: Arabian Gulf (Saudi Arabia). (Ex ENSCO 88, Penrod-88).							
169†	ENSCO	ENSCO 90	Self-Elev.	82SD-C	360 Tri.	Brownsville	6/18/82
PRESENT STATUS: Retired 03/16, Gulf of Mexico (USA). (Ex Penrod-90).							
170	Arabian Drilling	Arabdrill 80	Self-Elev.	82SD-C	360 Tri.	Vicksburg	10/6/82
PRESENT STATUS: Arabian Gulf (Bahrain). (Ex Penrod-89, ENSCO 89, SE 89, XD 17).							
171†	Paragon	M826	Self-Elev.	82SD-C	360 Tri.	Vicksburg	1/14/83
PRESENT STATUS: Retired 08/18. Arabian Gulf (UAE). (Ex Penrod 91, Hornet, Noble Lloyd Noble)							
172	Arabian Drilling	Arabdrill 17	Self-Elev.	82SD-C	360 Tri.	Canada (Davie) (Kit)	7/15/81
PRESENT STATUS: Arabian Gulf (Saudi Arabia). (Ex High Island VI).							

† Rigs Out of Service (Retired, etc.)

* Rigs built in Vicksburg

** Rigs with enhanced leg

HULL	OWNER	NAME	TYPE	CLASS	LEG LGTH.	SHIPYARD	DATE DEL.
173	Enterprise Offshore	Enterprise 35	Self-Elev.	116-C	410 Sq.	Canada (Davie) (Kit)	8/20/82
PRESENT STATUS: Gulf of Mexico. (Ex Drill Force I, Petrobras VI).							
174	Shelf Drilling PRESENT	Key Singapore	Self-Elev.	116-C	477 Sq.	Singapore	3/1/82
STATUS: Med/Black Sea, Tunisia.							
175†	Rowan	Rowan Halifax	Self-Elev.	116-C	477 Sq. **	Brownsville	12/29/82
PRESENT STATUS: Sank in Hurricane Rita, GOM, 09/24/05.							
176	Valaris	Valaris 92	Self-Elev.	116-C	343 Sq.	Singapore	7/14/82
PRESENT STATUS: North Sea (UK). (Ex ENSCO 92, Penrod-92).							
177	Arabian Drilling	Arabdrill 90	Self-Elev. PRESENT	82SD-C	360 Tri.	Singapore	10/4/82
STATUS: Arabian Gulf (Bahrain). (Ex Penrod 93, ENSCO 93, SE 93, XD 18).							
178	Shelf Drilling	Adriatic IX	Self-Elev.	116-C	477 Sq.**	Clydebank (UIE) (Kit)	7/21/81
PRESENT STATUS: To Be Converted to MOPU, Cameroon. (Ex Uxmal).							
179	Shelf Drilling	High Island VII	Self-Elev.	82SD-C	360 Tri.	Canada (Davie) (Kit)	4/30/82
PRESENT STATUS: Arabian Gulf (UAE).							
180	White Fleet Drilling	WFD Rig 350	Self-Elev.	116-C	477 Sq.**	Canada (Davie) (Kit)	9/2/82
PRESENT STATUS: Gulf of Mexico (USA). (Ex GSF Adriatic III, Hercules 350).							
181	Foresight Drilling	Foresight Driller IX	Self-Elev.	116-C	477 Sq. **	Singapore	1/26/83
PRESENT STATUS: Oman. Damaged in Hurricane Rita 09/24/05, Repaired 2009. (Ex Transocean-7, GSF Adriatic VII , FD VII).							

† Rigs Out of Service (Retired, etc.)

* Rigs built in Vicksburg

** Rigs with enhanced leg

HULL	OWNER	NAME	TYPE	CLASS	LEG LGTH.	SHIPYARD	DATE DEL.
182†	Paragon Offshore	M824	Self-Elev.	82SD-C	360 Tri.**	Brownsville	12/20/82
PRESENT STATUS: Retired 08/18, Gulf of Mexico (USA). (Ex Seabee, Noble Tom Jobe).							
183	Shelf Drilling	Adriatic X	Self-Elev.	116-C	477 Sq.**	Clydebank (UIE) (Kit)	3/25/82
PRESENT STATUS: Cameroon. (Ex Chichen-Itza).							
184†	Transocean	GSF Adriatic IV	Self-Elev.	116-C	477 Sq.	Singapore	5/18/83
PRESENT STATUS: Burned and sank in blowout off Egypt, 08/10/04.							
186	Advanced Energy Systems	Admarine 262	Self-Elev.	82SD-C	360 Tri.	Canada (Davie) (Kit)	11/12/82
PRESENT STATUS: Arabian Gulf (Saudi Arabia). (Ex GSF High Island VIII, Hercules 262).							
187†	Perforadora Mexico	Zacatecas	Self-Elev.	116-C	410 Sq.	Canada (Davie) (Kit)	9/15/83
PRESENT STATUS: Lost in blowout, 10/86, Mexico. (Ex Zacateca).							
188	ENI	Douglas Acc Utility	Self-Elev.	116-C	243 Sq.**	Clydebank (UIE) (Kit)	3/25/83
PRESENT STATUS: Irish Sea. Converted to accommodations and control station 1995. (Ex Morcambe Flame).							
192	Shelf Drilling	Rig 141	Self-Elev.	82SD-C	360 Tri.	Hong Kong (Euroasia) (Kit)	10/14/82
PRESENT STATUS: Egypt. (Ex Santa Fe Rig 141).							
195	Ezion/Dynamic Drilling	Victory Driller	Self-Elev.	116-C	444 Sq.	Hong Kong (Euroasia) (Kit)	3/31/83
PRESENT STATUS: India (Ex GSF Adriatic VIII).							

† Rigs Out of Service (Retired, etc.)

* Rigs built in Vicksburg

** Rigs with enhanced leg

HULL	OWNER	NAME	TYPE	CLASS	LEG LGTH.	SHIPYARD	DATE DEL.
196	Shelf Drilling	High Island IX	Self-Elev.	82SD-C	360 Tri.	Canada (Davie) (Kit)	6/17/83
PRESENT STATUS: Arabian Gulf (Saudi Arabia).							
198†	Seadrill	T-8	Tender			Singapore	8/11/82
PRESENT STATUS: Retired 05/11. Modified 1997, 2000 (Ex Tiga Kali, Smedvig T-8).							
199†	Valaris	Valaris California	Self-Elev.	116-C	410 Sq.**	Singapore	11/1/83
PRESENT STATUS: Scrapped, unit beached in Alang, India in 11/19. (Ex Rowan California, California).							
200†	Rowan	Rowan Gorilla I	Self-Elev.	Gorilla® SLOTILEVER™	504 Sq.	Vicksburg	12/15/83
PRESENT STATUS: Sank during tow, North Atlantic, 12/15/89.							74*
202	Perenco	Macha	Self-Elev.	Gorilla® SLOTILEVER™	504 Sq.	Vicksburg	11/15/85
PRESENT STATUS: Cameroon. Converting to Production MOPD. (Ex Rowan Gorilla III)							75*
203	Perenco	Ogma	Self-Elev.	Gorilla® SLOTILEVER™	638 Sq.	Singapore	10/19/84
PRESENT STATUS: Cameroon. Converting to Production MOPD. (Ex Rowan Gorilla II)							
205	Advanced Energy Systems	Admarine IV	Self-Elev.	Gorilla® SLOTILEVER™	604 Sq.	Vicksburg	11/7/86
PRESENT STATUS: Cold Stacked 12/17. Gulf of Mexico (USA). Enhanced Cantilever 2000. (Ex Rowan Gorilla IV)							76*
209†	Santa Fe	Al-Baz	Self-Elev.	116-C	410 Sq.	Hong Kong (Euroasia) (Kit)	8/8/83
PRESENT STATUS: Burned and sank in blowout, 04/28/89.							

† Rigs Out of Service (Retired, etc.)

* Rigs built in Vicksburg

** Rigs with enhanced leg

HULL	OWNER	NAME	TYPE	CLASS	LEG LGTH.	SHIPYARD	DATE DEL.
210	Ezion	Endeavour	Self-Elev.	116-C	410Sq.	Clydebank (UIE) (Kit)	3/8/83
PRESENT STATUS: Cold Stacked 02/17. South Africa. (Ex Bay Driller, GSF Adriatic XI, Spirit of Independence).							
211†	Land and SeaConstruction	Sungei Bulan	Steel Barge			Singapore	3/25/82
PRESENT STATUS: Status unknown.							
212	Shelf Drilling	Baltic	Self-Elev.	Super 300 SLO TILEVER™	515 Sq.	Brownsville, TX	12/22/83
PRESENT STATUS: Nigeria. (Ex Glomar Baltic I).							
213†	Paragon Offshore	Paragon M825	Self-Elev.	82SD-C	360 Tri.	Brownsville, TX	12/24/84
PRESENT STATUS: Retired 08/18. Cameroon. (Ex Penrod 98, Midway, Noble Ed Noble).							
214†	ENSCO	ENSCO 99	Self-Elev.	82SD-C	360 Tri.	Brownsville, TX	5/6/85
PRESENT STATUS: Retired 03/16, Gulf of Mexico (USA). (Ex Penrod-99).							
215	Valaris	Valaris 100	Self-Elev.	Gorilla® SLO TILEVER™	504 Sq.	Clydebank (UIE) (Kit)	2/2/87
PRESENT STATUS: North Sea (UK). (Ex Mr. Mac, West Omikron, ENSCO 100).							
216	Shelf Drilling	Compact Driller	Self-Elev.	116-C	410 Sq.	Vicksburg, MS	3/2/92
PRESENT STATUS: Arabian Gulf (Bahrain).							77*
[B286]	BHP Billiton	Irish Sea Pioneer	Lift Boat	OSV	241 Tri.	Lockport, LA (Bollinger) (Kit)	11/95
PRESENT STATUS: Douglas Field (UK). (Supplied Spud Leg & Elevating Unit Kit).							

† Rigs Out of Service (Retired, etc.)

* Rigs built in Vicksburg

** Rigs with enhanced leg

HULL	OWNER	NAME	TYPE	CLASS	LEG LGTH.	SHIPYARD	DATE DEL.
217†	ENSCO	ENSCO 74	Self-Elev.	Super 116	511 Sq.	Brownsville, TX (AmFELS) (Kit)	5/26/99
PRESENT STATUS: Sank in Hurricane Ike, GOM 9/12/08. (Ex Chiles Columbus).							
219	Valaris	Valaris Gorilla V	Self-Elev.	Super Gorilla SLOTILEVER™	574 Tri.	Vicksburg, MS	11/15/98
PRESENT STATUS: North Sea (UK). (Ex Rowan Gorilla V)							78*
220	Valaris	Valaris Gorilla VI	Self-Elev.	Super Gorilla SLOTILEVER™	607 Tri.	Vicksburg, MS	6/21/00
PRESENT STATUS: Trinidad and Tobago. (Ex Rowan Gorilla VI)							79*
221	Valaris	Valaris Gorilla VII	Self-Elev.	Super Gorilla SLOTILEVER™	607 Tri.	Vicksburg, MS	12/10/01
PRESENT STATUS: North Sea (UK). (Ex Rowan Gorilla VII)							80*
222	Valaris	Valaris 76	Self-Elev.	Super 116	410 Sq.	Pascagoula, MS (TDI-Halter) (Kit)	1/21/00
PRESENT STATUS: Arabian Gulf (Saudi Arabia). (Ex ENSCO 76, Tonalá).							
223	Valaris	Valaris 75	Self-Elev.	Super 116	544 Sq.	Brownsville, TX (AmFELS) (Kit)	10/27/99
PRESENT STATUS: Gulf of Mexico (USA). (Ex ENSCO 75, Chiles Magellan)							
224	Valaris	Bob Palmer	Self-Elev.	Super Gorilla XL SLOTILEVER™	647 Tri.	Vicksburg, MS	8/18/03
PRESENT STATUS: Arabian Gulf (Saudi Arabia). LEWCO Equipment.							81*
225	ARO Drilling	Scooter Yeargain	Self-Elev.	TARZAN Class	445 Tri.	Vicksburg, MS	4/1/04
PRESENT STATUS: Arabian Gulf (Saudi Arabia). LEWCO Equipment.							82*

† Rigs Out of Service (Retired, etc.)

* Rigs built in Vicksburg

** Rigs with enhanced leg

HULL	OWNER	NAME	TYPE	CLASS	LEG LGTH.	SHIPYARD	DATE DEL.
226	ARO Drilling	Bob Keller	Self-Elev.	TARZAN Class	445 Tri.	Vicksburg, MS	7/29/05
PRESENT STATUS: Arabian Gulf (Saudi Arabia). LEWCO Drilling Package. (LeT VS Cranes)							83*
227	ARO Drilling	Hank Boswell	Self-Elev.	TARZAN Class	445 Tri.	Vicksburg, MS	9/15/06
PRESENT STATUS: Arabian Gulf (Saudi Arabia). LEWCO Drilling Package. (LeT VS Cranes)							84*
228	ARO Drilling	JP Bussell	Self-Elev.	TARZAN Class	445 Tri.	Sabine Pass, TX	11/17/08
PRESENT STATUS: Bahrain. LEWCO Drilling Equipment. (LeT VS Cranes) (Ex Rowan Tarzan IV)							
229	US Army Corp	Dredge Goetz	Suction Dredge	—		Vicksburg, MS	6/18/05
PRESENT STATUS: St Paul District, Minn.			Barge				85*
230	Shengli (Downhole)	Shengli Workover No. 4	SE-Workover	—	180 Tubl.	Qinghuangdao, China (SHG) (Kit)	5/26/07
PRESENT STATUS: Bohai Bay (China). (Supplied Elevating Unit Kit).							
232	Perforadora Central	Panuco	Self-Elev.	Super 116E	511 Sq.	Vicksburg, MS	6/18/07
PRESENT STATUS: Bay of Campeche (Mexico). LEWCO Drill Package. (LeTVS Cranes)							86*
233	SeaMex	West Courageous	Self-Elev.	Super 116	477 Sq.	Brownsville, TX (AmFELS) (Kit)	5/30/07
PRESENT STATUS: Bay of Campeche (Mexico). (Ex Offshore Courageous).							
234	Shelf Drilling	Shelf Drilling Resourceful	Self-Elev.	Super 116	477 Sq.	Brownsville, TX (AmFELS) (Kit)	5/5/08
PRESENT STATUS: West Africa (Nigeria). (Ex Offshore Resolute, West Resolute).							
235	CPOE (CNPC)	CPOE 63	SE-Workover	—	206 Tubl.	Qingdao, China (Beihai) (Kit)	1/22/07
PRESENT STATUS: Bohai Bay (China). (Supplied Elevating Unit Kit).							

† Rigs Out of Service (Retired, etc.)

* Rigs built in Vicksburg

** Rigs with enhanced leg

HULL	OWNER	NAME	TYPE	CLASS	LEG LGTH.	SHIPYARD	DATE DEL.
236	SeaMex	West Defender	Self-Elev.	Super 116	477 Sq.	Brownsville, TX (AmFELS) (Kit)	11/10/07
PRESENT STATUS: Bay of Campeche (Mexico). (Ex Offshore Defender).							
237	Seadrill	West Vigilant	Self-Elev.	Super 116	477 Sq.	Brownsville, TX (AmFELS) (Kit)	9/10/08
PRESENT STATUS: Malaysia. (Ex Offshore Vigilant).							
238	SeaMex	West Intrepid	Self-Elev.	Super 116	477 Sq.	Brownsville, TX (AmFELS) (Kit)	1/28/09
PRESENT STATUS: Bay of Campeche (Mexico). (Ex Offshore Intrepid).							
239	Valaris	Valaris 142	Self-Elev.	Super 116E	477 Sq.	Brownsville, TX (AmFELS) (Kit)	12/22/08
PRESENT STATUS: Cold Stacked 11/17. Malta. LEWCO Equipment. (Ex Atwood Aurora, ENSCO 112)							
240	Valaris	Valaris Mississippi	Self-Elev.	WORKHORSE® (a.ka. 240-C)	491 Sq.	Vicksburg, MS	11/10/08
PRESENT STATUS: Arabian Gulf (Saudi Arabia). LEWCO Drilling Package. (Ex Rowan Mississippi)							87*
241	Valaris	Ralph Coffman	Self-Elev.	WORKHORSE® (a.ka. 240-C)	536 Sq.	Vicksburg, MS	12/15/09
PRESENT STATUS: Trinidad and Tobago. LEWCO Drilling Package.							88*
242	Valaris	Joe Douglas	Self-Elev.	WORKHORSE® (a.ka. 240-C)	491 Sq.	Vicksburg, MS	12/19/11
PRESENT STATUS: Trinidad and Tobago. LEWCO Drilling Package.							89*
244	Tulshyan Group	SOMNATH	Self-Elev.	Super 116E	477 Sq.	Dabhol, India (Bharati) (Kit)	TBD
PRESENT STATUS: Standby, Qatar. LEWCO Drilling Package.							

† Rigs Out of Service (Retired, etc.)

* Rigs built in Vicksburg

** Rigs with enhanced leg

HULL	OWNER	NAME	TYPE	CLASS	LEG LGTH.	SHIPYARD	DATE DEL.
245	Seadrill	West Freedom	Self-Elev.	Super 116E	477 Sq.	Hamriyah, UAE (Lamprell) (Kit)	4/28/09
PRESENT STATUS: Colombia. (Ex Offshore Freedom). LEWCO Equipment.							
246	Shengli (CNPC)	Shengli Workover No. 7	SE-Workover	—	180 Tubl.	Qinghuangdao, China (SHG) (Kit)	12/19/12
PRESENT STATUS: Bohai Bay. (Supplied Elevating Unit Kit).							
247	Perforadora Central	Tuxpan	Self-Elev.	Super 116E	511 Sq.	Brownsville, TX (AmFELS) (Kit)	1/5/10
PRESENT STATUS: Bay of Campeche (Mexico).							
248	Valaris	Valaris EXL I	Self-Elev.	Super 116E-XL	477 Sq.	Brownsville, TX (AmFELS) (Kit)	4/1/10
PRESENT STATUS: Arabian Gulf (Bahrain). LEWCO Drilling Package. (Ex Rowan EXL I)							
249	Valaris	Valaris EXL II	Self-Elev.	Super 116E-XL	511Sq.	Brownsville, TX (AmFELS) (Kit)	8/31/10
PRESENT STATUS: Guyana. LEWCO Drilling Package. (Ex Rowan EXL II)							
252	Valaris	Valaris EXL III	Self-Elev.	Super 116E-XL	477 Sq.	Brownsville, TX (AmFELS) (Kit)	12/20/10
PRESENT STATUS: Gulf of Mexico. LEWCO Drilling Package. (Ex Rowan EXL III)							
253	Valaris	Valaris EXL IV	Self-Elev.	Super 116E-XL	410 Sq.	Brownsville, TX (AmFELS) (Kit)	9/1/11
PRESENT STATUS: Arabian Gulf (Bahrain). LEWCO Drilling Package. (Ex Rowan EXL IV)							

† Rigs Out of Service (Retired, etc.)

* Rigs built in Vicksburg

** Rigs with enhanced leg

HULL	OWNER	NAME	TYPE	CLASS	LEG LGTH.	SHIPYARD	DATE DEL.
254	Shelf Drilling	Shelf Drilling Mentor	Self-Elev.	Super 116E	477 Sq.	Hamriyah, UAE (Lamprell) (Kit)	4/28/10
PRESENT STATUS: Arabian Gulf (UAE). (Ex Offshore Mischief, West Mischief). LEWCO Drilling Package.							
255	VietSovPetro	Tam Dao 03	Self-Elev.	Super 116E	477 Sq.	Vung Tau, Vietnam (PVMS) (Kit)	3/30/12
PRESENT STATUS: Vietnam.							
256	ADNOC Drilling	Makasib	Self-Elev.	Super 116E	477 Sq.	Hamriyah, UAE (Lamprell) (Kit)	7/12/12
PRESENT STATUS: Arabian Gulf (UAE). LEWCO Drilling Package.							
257	Valaris	Bess Brants	Self-Elev.	Super 116E-PB	477 Sq.	Maragojipe, Brazil (CRP)(Kit)	1/12/13
PRESENT STATUS: Saudi Arabia. LEWCO Drilling Package. (Ex P-59, Odebrecht JU Tbn 1, Petrobras JU Tbn 1)							
258	Valaris	Earnest Dees	Self-Elev.	Super 116E-PB	477 Sq.	Maragojipe, Brazil (CRP)(Kit)	6/14/13
PRESENT STATUS: Saudi Araia. LEWCO Drilling Package. (Ex P-60, Odebrecht JU Tbn2, Petrobras JU Tbn2)							
259	ADNOC Drilling	Muhaiyimat	Self-Elev.	Super 116E	310 Sq.	Hamriyah, UAE (Lamprell) (Kit)	11/8/12
PRESENT STATUS: Arabian Gulf (UAE). LEWCO Drilling Package.							
260	Eurasia Drilling	Neptune	Self-Elev.	Super 116E	477 Sq.	Hamriyah, UAE (Lamprell) (Kit)	11/5/13
PRESENT STATUS: Caspian Sea (Russia). LEWCO Equipment.							

† Rigs Out of Service (Retired, etc.)

* Rigs built in Vicksburg

** Rigs with enhanced leg

HULL	OWNER	NAME	TYPE	CLASS	LEG LGTH.	SHIPYARD	DATE DEL.
261	Greatship	Greatdrill Chaaya	Self-Elev.	Super 116E	477 Sq.	Hamriyah, UAE (Lamprell) (Kit)	1/7/13
PRESENT STATUS: India. LEWCO Equipment.							
262	Perforadora Central	Papaloapan	Self-Elev.	Super 116E	511 Sq.	Brownsville, TX (AmFELS) (Kit)	4/11/13
PRESENT STATUS: Bay of Campeche (Mexico).							
263	ICBC	Kaixuan I	Self-Elev.	WORKHORSE®	536 Sq.	Nantong, China (COSCO) (Kit)	7/24/14
PRESENT STATUS: East China Sea (China). (Ex Orient Star 1, Excellence 1)							
264	COSCO Qidong	KS Orient Star 2	Self-Elev.	WORKHORSE®	536 Sq.	Nantong, China (COSCO) (Kit)	TBD
PRESENT STATUS: Standby. China.							
267	Jindal Pipes	Jindal Star	Self-Elev.	Super 116E	477 Sq.	Hamriyah, UAE (Lamprell) (Kit)	11/2/13
PRESENT STATUS: India.							
268	ADNOC Drilling	Qarnin	Self-Elev.	Super 116E	310 Sq.	Hamriyah, UAE (Lamprell) (Kit)	2/17/14
PRESENT STATUS: Arabian Gulf (UAE). CAMERON Drilling Package.							
269	ADNOC Drilling	Marawwah	Self-Elev.	Super 116E	310 Sq.	Hamriyah, UAE (Lamprell) (Kit)	5/19/14
PRESENT STATUS: Arabian Gulf (UAE). CAMERON Drilling Package.							
270	Perforadora Central	Coatzacoalcos	Self-Elev.	Super 116E	511 Sq.	Brownsville, TX (AmFELS) (Kit)	11/25/14
PRESENT STATUS: Bay of Campeche (Mexico).							

† Rigs Out of Service (Retired, etc.)

* Rigs built in Vicksburg

** Rigs with enhanced leg

HULL	OWNER	NAME	TYPE	CLASS	LEG LGTH.	SHIPYARD	DATE DEL.
271	Eurasia Drilling	Mercury	Self-Elev.	Super 116E	477 Sq.	Hamriyah, UAE (Lamprell) (Kit)	10/20/14
PRESENT STATUS: Caspian Sea (Turkmenistan). CAMERON Equipment.							
272	ADNOC Drilling	Al Shuwehat 1	Self-Elev.	Super 116E	310 Sq.	Hamriyah, UAE (Lamprell) (Kit)	12/18/14
PRESENT STATUS: Arabian Gulf (UAE). CAMERON Drilling Package.							
273	ADNOC Drilling	Butinah	Self-Elev.	Super 116E	310 Sq.	Hamriyah, UAE (Lamprell) (Kit)	4/10/15
PRESENT STATUS: Arabian Gulf (UAE). CAMERON Drilling Package.							
275	Greatship	Greatdrill Chaaru	Self-Elev.	Super 116E	477 Sq.	Hamriyah, UAE (Lamprell) (Kit)	3/3/15
PRESENT STATUS: India. Note: No LeTourneau Cranes							
276	Foresight Drilling	Vivekanand 1	Self-Elev.	Super 116E	477 Sq.	Dalian, China (COSCO) (Kit)	8/23/16
PRESENT STATUS: India. CAMERON Drilling Package.							
277	Explorer 1	Explorer 1	Self-Elev.	Super 116E	477 Sq.	Jiangsu, China (YZJ) (Kit)	(9/18)
PRESENT STATUS: Standby. China. CAMERON Drilling Package. Note: No LeTourneau Cranes							
278	Jindal Pipes	Jindal Pioneer	Self-Elev.	Super 116E	477 Sq.	Hamriyah, UAE (Lamprell) (Kit)	2/3/15
PRESENT STATUS: Mexico.							
279	Foresight Drilling	Vivekanand 2	Self-Elev.	Super 116E	477 Sq.	Dalian, China (COSCO) (Kit)	8/23/16
PRESENT STATUS: India. CAMERON Drilling Package.							

† Rigs Out of Service (Retired, etc.)

* Rigs built in Vicksburg

** Rigs with enhanced leg

HULL	OWNER	NAME	TYPE	CLASS	LEG LGTH.	SHIPYARD	DATE DEL.
280	Momentum Drilling	SMS ESSA	Self-Elev.	Super 116E	477 Sq.	Dalian, China (COSCO) (Kit)	(3/18)
PRESENT STATUS: Under Construction. CAMERON Drilling Package. (Ex Dynamic Momentum)							
282	Northern Offshore	Energy Engager	Self-Elev.	Super 116E	477 Sq.	Dalian, China (COSCO) (Kit)	(9/17)
PRESENT STATUS: Standby, China.							
283	Northern Offshore	Energy Encounter	Self-Elev.	Super 116E	477 Sq.	Dalian, China (COSCO) (Kit)	(3/18)
PRESENT STATUS: Standby, China.							
284	Valaris	Valaris 140	Self-Elev.	Super 116E-Enh.	444 Sq.	Hamriyah, UAE (Lamprell) (Kit)	8/26/16
PRESENT STATUS: Arabian Gulf (UAE). Note: No LeTourneau Cranes (Ex ENSCO 140)							
285	Valaris	Valaris141	Self-Elev.	Super 116E-Enh.	444 Sq.	Hamriyah, UAE (Lamprell) (Kit)	11/04/16
PRESENT STATUS: Arabian Gulf (UAE). (Ex ENSCO 141) Note: No LeTourneau Cranes							
286	Foresight Drilling	Vivekanand 3	Self-Elev.	Super 116E	477 Sq.	Dailian, China (COSCO) (Kit)	(5/18)
PRESENT STATUS: UAE. CAMERON Drilling Package.							
287	Shelf Drilling	Shelf Drilling Chaophraya	Self-Elev.	Super 116E-Enh.	477 Sq.	Hamriyah, UAW (Lamprell) (Kit)	9/30/16
PRESENT STATUS: Thailand. Note: No LeTourneau Cranes							
288	Shelf Drilling	Shelf Drilling Krathong	Self-Elev.	Super 116E-Enh.	477 Sq.	Hamriyah, UAE (Lamprell) (Kit)	4/06/17
PRESENT STATUS: Thailand. Note: No LeTourneau Cranes							

† Rigs Out of Service (Retired, etc.)

* Rigs built in Vicksburg

** Rigs with enhanced leg

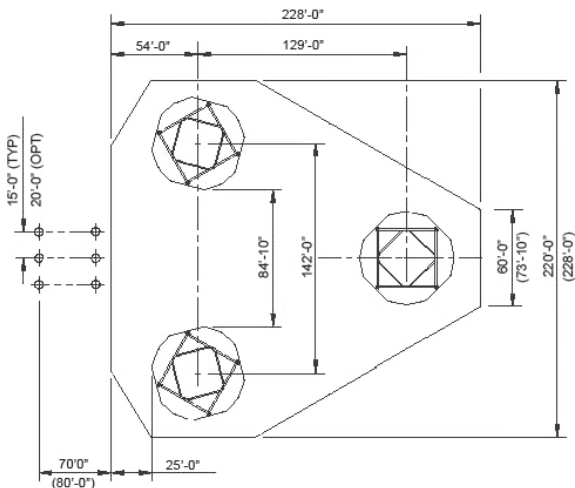
HULL	OWNER	NAME	TYPE	CLASS	LEG LGTH.	SHIPYARD	DATE DEL.
289	ADNOC Drilling	Al Gharbia	Self-Elev.	Super 116E	310 Sq.	Hamriyah, UAE (Lamprell) (Kit)	12/22/16
PRESENT STATUS: Arabian Gulf (UAE).							
290	ADNOC Drilling	Al Hudairiyat	Self-Elev.	Super 116E	310 Sq.	Hamriyah, UAE (Lamprell) (Kit)	2/16/17
PRESENT STATUS: Arabian Gulf (UAE).							
291	ADNOC Drilling	Al Lulu	Self-Elev.	Super 116E	310 Sq.	Hamriyah, UAE (Lamprell) (Kit)	4/6/17
PRESENT STATUS: Arabian Gulf (UAE).							
292	ARO Drilling	ARO 2005	Self-Elev.	Super 116E	343 Sq.	Hamriyah, UAE (Lamprell) (Kit)	(3/22)
PRESENT STATUS: Under Construction							
293	ARO Drilling	ARO 2006	Self-Elev.	Super 116E	343 Sq.	Hamriyah, UAE (Lamprell) (Kit)	(6/22)
PRESENT STATUS: Under Construction							

† Rigs Out of Service (Retired, etc.)

* Rigs built in Vicksburg

** Rigs with enhanced leg

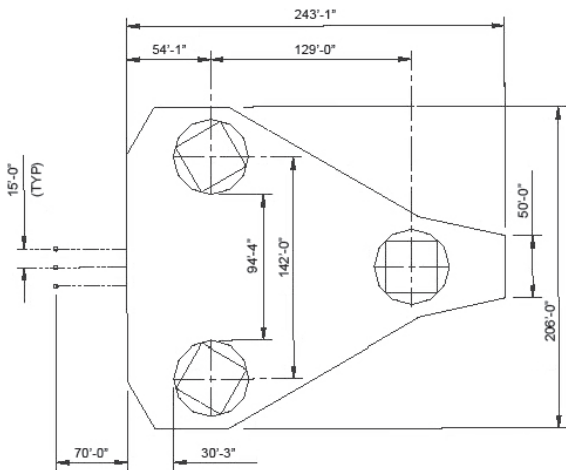
WORKHORSE® CLASS (a.k.a. 240-C) 400' WD



CANTILEVER DRILL LOAD CAPACITY	3500 (3200) kip
HULL DEPTH	26 ft
WATER PLANE AREA	30,700 (34,265) sq ft
LEG PITCH	36 ft
SPUD TANK DIA.	55 ft across flats
SPUD TANK HEIGHT	29' 2"
SPUD TANK AREA	2141 sq ft
SPUD TANK VOLUME	26,050 cu ft
ELEVATING UNIT	440/6 opposed
OPTIONS (--)	

Number Built - 5
2006 - Present
First Hull No. 240

SUPER 116E CLASS 375' WD

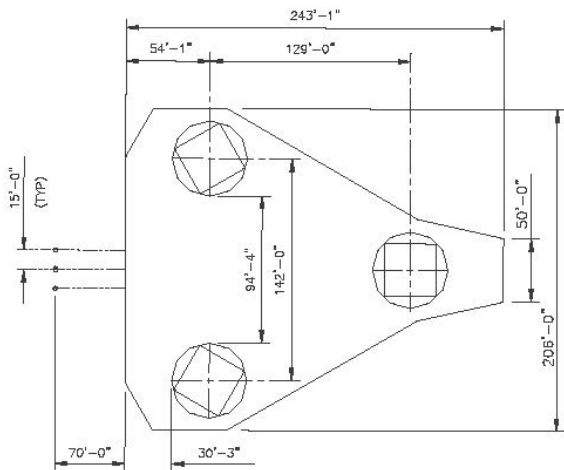


CANTILEVER DRILL LOAD CAPACITY	2650 kip
HULL DEPTH	26 ft
WATER PLANE AREA	27,015 (27,916) sq ft
LEG PITCH	30 ft
SPUD TANK DIA.....	46 ft across flats
SPUD TANK HEIGHT	24 ft
SPUD TANK AREA	1555 (2084) sq ft
SPUD TANK VOLUME	13,520 cu ft
ELEVATING UNIT	375/5 in-line
OPTIONS (--)	

Number Built - 43
2001 - Present
First Hull No. 232

**LEGACY LeTOURNEAU DESIGNS
(Chronological Order)**

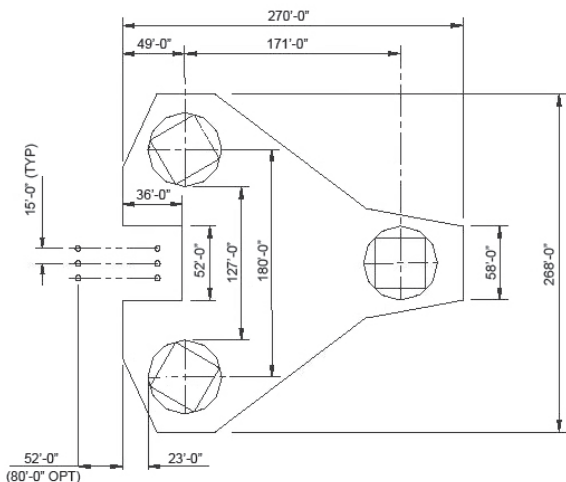
SUPER 116 CLASS 350' WD



CANTILEVER DRILL LOAD CAPACITY	2500 kip
HULL DEPTH	26 ft
WATER PLANE AREA	27,015 sq ft
LEG PITCH	30 ft
SPUD TANK DIA.....	46 ft across flats
SPUD TANK HEIGHT	24 ft
SPUD TANK AREA	1555 (*2084) sq ft
SPUD TANK VOLUME	13,520 cu ft
ELEVATING UNIT	375/4 in-line
*BIG FOOT	

Number Built - 8
1999 - 2009
First Hull No. 217

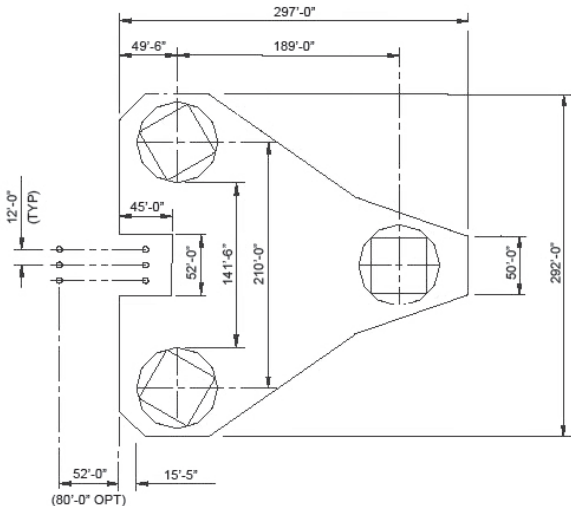
SUPER 300 CLASS 375' WD



CANTILEVER DRILL LOAD CAPACITY	1500 kip
HULL DEPTH	28 ft
WATER PLANE AREA	35,290 sq ft
LEG PITCH	39 ft
SPUD TANK DIA.....	55 ft across flats
SPUD TANK HEIGHT	30' 3"
SPUD TANK AREA	2315 sq ft
SPUD TANK VOLUME	29,050 cu ft
ELEVATING UNIT	375/6 in-line

Number Built - 1
1983
First Hull No. 212

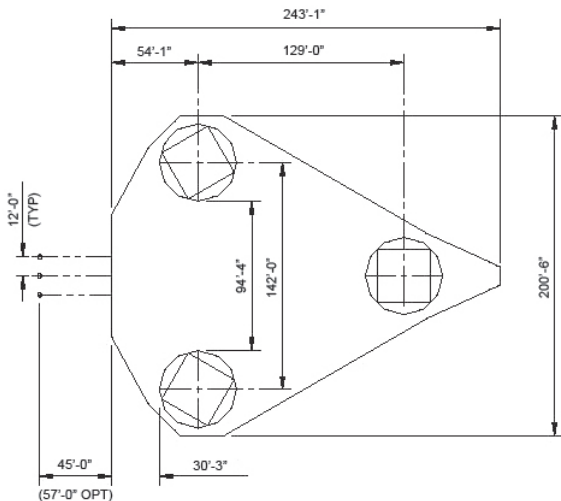
GORILLA® CLASS (a.k.a. 150-88-C) 450' WD



CANTILEVER DRILL LOAD CAPACITY	1500 - 2500 kip
HULL DEPTH	30 ft
WATER PLANE AREA.....	42,265 sq ft
LEG PITCH	46 ft
SPUD TANK DIA.....	66 ft across flats
SPUD TANK HEIGHT	35 ft
SPUD TANK AREA	3345 sq ft
SPUD TANK VOLUME	48,000 cu ft
ELEVATING UNIT	375/8 in-line

Number Built - 5
1983 - 1987
First Hull No. 200

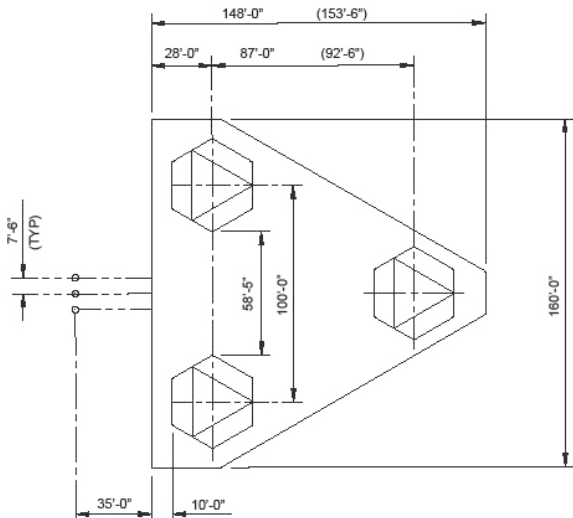
116-C CLASS 328' WD



CANTILEVER DRILL LOAD CAPACITY	1250 - 1500 kip
HULL DEPTH	26 ft
WATER PLANE AREA	24,020 sq ft
LEG PITCH	30 ft
SPUD TANK DIA.....	46 ft across flats
SPUD TANK HEIGHT	24 ft
SPUD TANK AREA	1546 sq ft
SPUD TANK VOLUME	13,520 cu ft
ELEVATING UNIT	375/4 in-line

Number Built - 39
1978 - 1991
First Hull No. 124

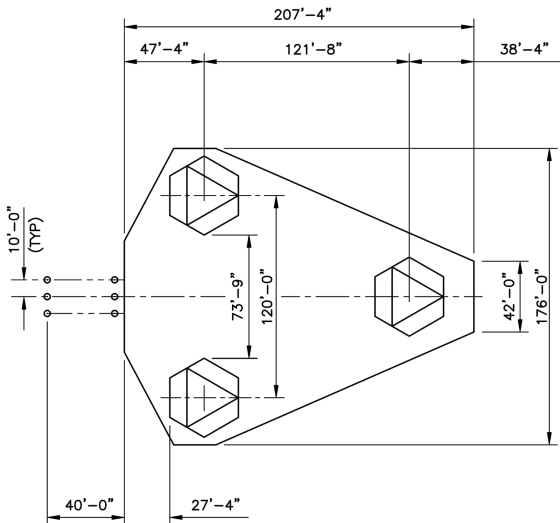
CLASS 150-44-C / -E / -SP
150' WD



CANTILEVER DRILL LOAD CAPACITY	600 (1000) kip
HULL DEPTH	16 ft
WATER PLANE AREA.....	12,570 (13,180) sq ft
LEG PITCH	24 ft
SPUD TANK DIA.....	36 ft across flats
SPUD TANK HEIGHT	19 ft
SPUD TANK AREA	975 sq ft
SPUD TANK VOLUME	7365 cu ft
ELEVATING UNIT	375/3 in-line
OPTIONS=(-)	

Number Built - 4
1977 - 1980
First Hull No. 123

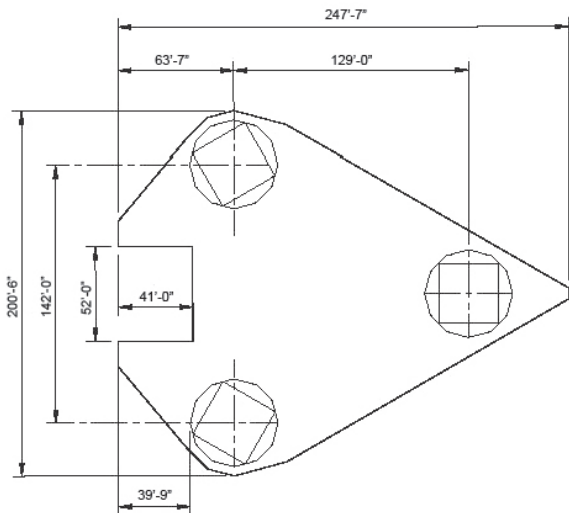
CLASS 82SD-C / 82SD
250' WD



CANTILEVER DRILL LOAD CAPACITY	1000 - 2000 kip
HULL DEPTH	20 ft
WATER PLANE AREA	20,300 sq ft
LEG PITCH	27 ft
SPUD TANK DIA.....	40 ft across flats
SPUD TANK HEIGHT	21' 4"
SPUD TANK AREA	1235 sq ft
SPUD TANK VOLUME	10,160 cu ft
ELEVATING UNIT	375/4 in-line

Number Built - 31
1977 - 1985
First Hull No. 120

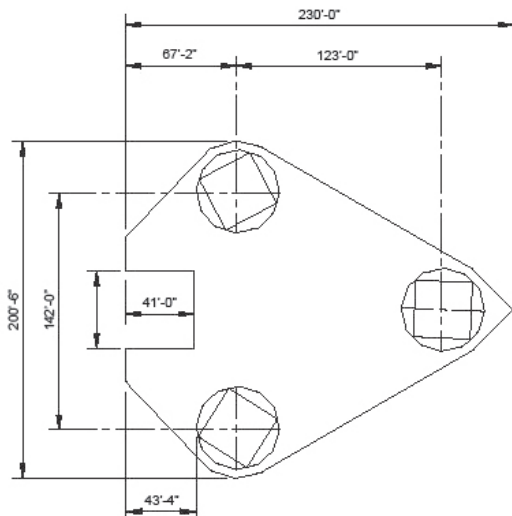
CLASS 84 & 116S
328' WD



HULL DEPTH	26 ft
WATER PLANE AREA.....	22,665 sq ft
LEG PITCH	30 ft
SPUD TANK DIA.....	46 ft across flats
SPUD TANK HEIGHT	24 ft
SPUD TANK AREA	1546 sq ft
SPUD TANK VOLUME	11,230 cu ft
ELEVATING UNIT	375/4 in-line

Number Built - 16
1975 - 1978
First Hull No. 84 and 116

CLASS 53, 53C, & 64 328' WD

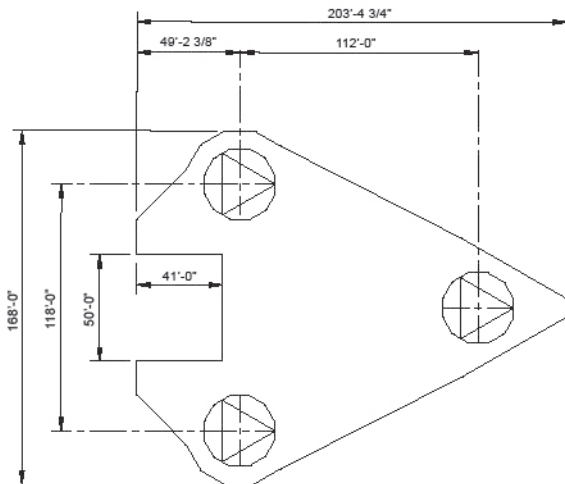


HULL DEPTH	26 ft
WATER PLANE AREA	21,355 sq ft
LEG PITCH	30 ft
SPUD TANK DIA.....	46 ft across flats
SPUD TANK HEIGHT	24 ft
SPUD TANK AREA	1592 sq ft
SPUD TANK VOLUME	10,750 cu ft
ELEVATING UNIT	375/4 in-line

Number Built - 12
1971 - 1974

First Hull No. 53 and 62

CLASS 52, 52C, & 82
250' WD



HULL DEPTH	22 ft
WATER PLANE AREA.....	16,530 sq ft
LEG PITCH	24 ft
SPUD TANK DIA.....	46 ft across flats
SPUD TANK HEIGHT	21 ft
SPUD TANK AREA	1700 sq ft
SPUD TANK VOLUME	11,230 cu ft
ELEVATING UNIT	375/4 in-line

Number Built - 16
1970 - 1977
First Hull No. 48 and 82

LETOURNEAU

A Keppel Company

Keppel LeTourneau USA, Inc.

5177 Richmond Ave. Suite 950

Houston, Texas 77056

USA

Tel:

(903) 399-2619

(832) 838-5905

Email:

Service.USA@keppelletourneau.com

SpareParts.USA@keppelletourneau.com

Engineering.USA@keppelletourneau.com

Keppel LeTourneau

Middle East FZE

Office No: LB16504

Jebel Ali, Dubai

United Arab Emirates

Tel:

971 04 886 0010

971 54 993 1489

Email:

SpareParts.UAE@keppelletourneau.com

Service.UAE@keppelletourneau.com



ISO 37001



ISO 9001:2015